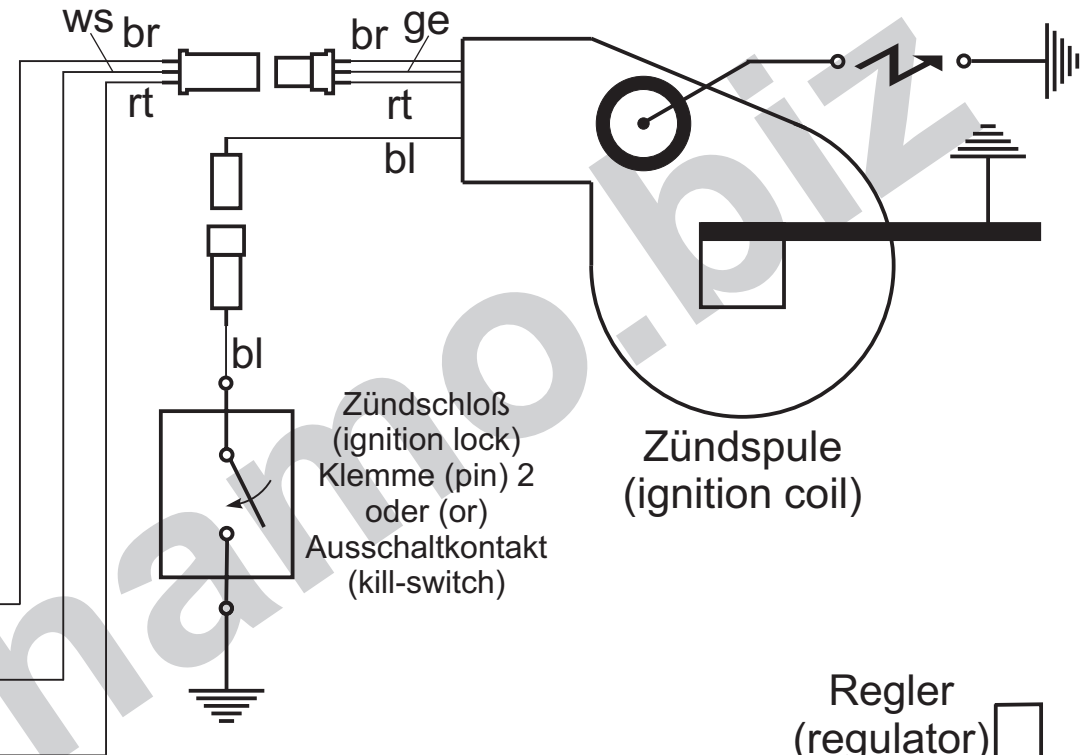
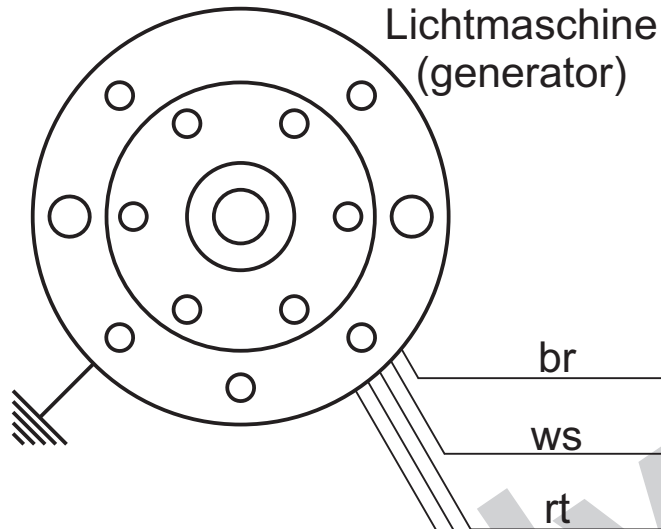




# Schaltplan 73ik102 (wiring diagram)



- Kabelfarben  
(wiring colours):
- bl = blau (blue)
  - br = braun (brown)
  - ge = gelb (yellow)
  - gn = grün (green)
  - gr = grau (grey)
  - rt = rot (red)
  - sw = schwarz (black)
  - ws = weiß (white)

